

# Controls – Contactors and Contactor Assemblies

## Project planning aids

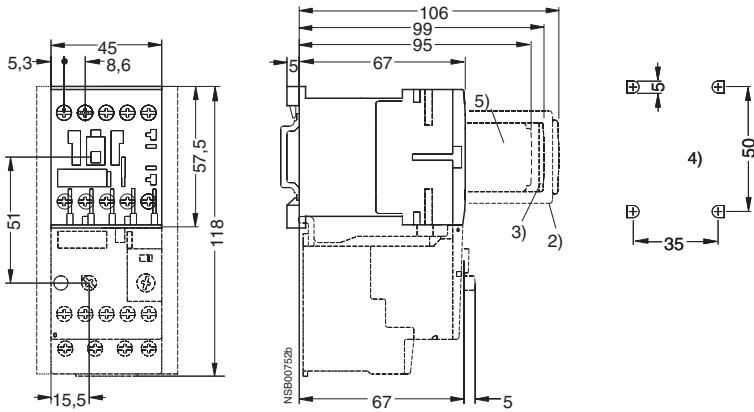
### Dimensional drawings

#### 3RT10 contactors, 3-pole

3RT10 1 contactors, size S00

Screw terminals  
with surge suppressor, auxiliary switch block and mounted overload relay

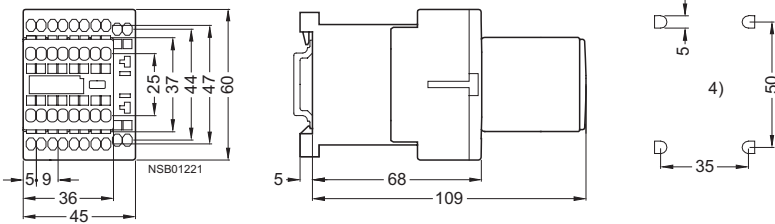
Lateral distance to grounded components = 6 mm



- 2) Auxiliary switch block (also 3RH19 11- . NF . . solid-state compatible version)
- 3) Surge suppressor (also 3RT19 16-1GA00 additional load module)
- 4) Drilling pattern
- 5) Auxiliary switch block 1-pole

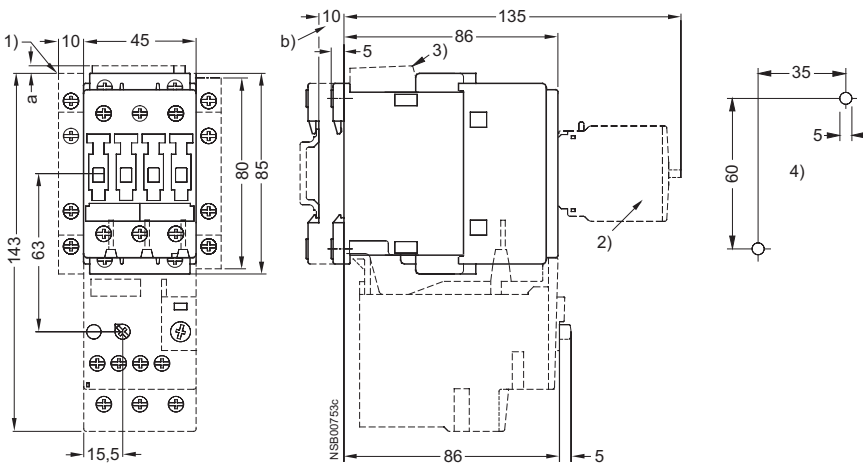
3RT10 1 contactors, size S00

Cage Clamp terminals with auxiliary switch block



3RT10 2 contactors, 3RT10 2 coupling relays, size S0

Screw terminals  
with surge suppressor, auxiliary switch blocks and mounted overload relay



For size S0:

a = 3 mm at < 240 V

a = 7 mm at > 240 V

b = DC 10 mm deeper than AC

1) Auxiliary switch block, laterally mountable

2) Auxiliary switch block, mountable on the front, 1-, 2- and 4-pole (also 3RH19 21-. FE22 solid-state compatible version)

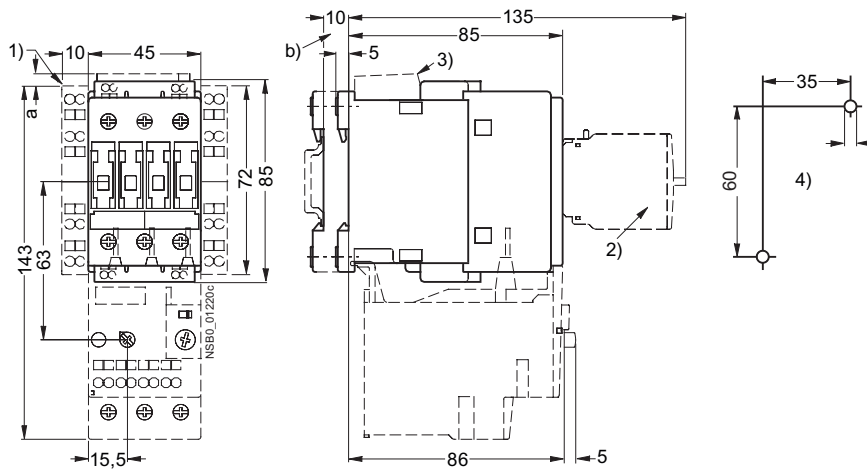
3) Surge suppressor

4) Drilling pattern

## 3RT10 contactors, 3-pole

3RT10 2 contactors, 3RT10 2 coupling relays, size S0

Cage Clamp terminals  
with surge suppressor, auxiliary switch blocks and mounted overload relay

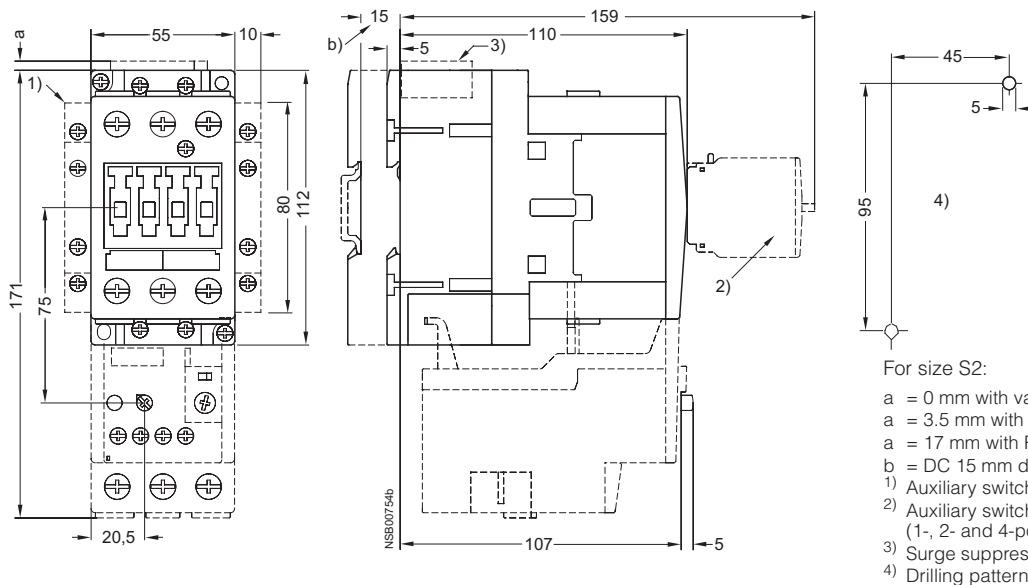


For size S0:

- a = 0 mm with varistor < 240 V, diode assembly
- a = 3.5 mm with varistor > 240 V
- a = 17 mm with RC element
- b = DC 10 mm deeper than AC
- 1) Auxiliary switch block, laterally mountable
- 2) Auxiliary switch block, mountable on the front, (1-, 2- and 4-pole)
- 3) Surge suppressor
- 4) Drilling pattern

## 3RT10 3 contactors, size S2

Screw terminals  
with surge suppressor, auxiliary switch blocks and mounted overload relay



For size S2:

- a = 0 mm with varistor < 240 V, diode assembly
- a = 3.5 mm with varistor > 240 V
- a = 17 mm with RC element
- b = DC 15 mm deeper than AC
- 1) Auxiliary switch block, laterally mountable
- 2) Auxiliary switch block, mountable on the front, (1-, 2- and 4-pole)
- 3) Surge suppressor
- 4) Drilling pattern

# Controls – Contactors and Contactor Assemblies

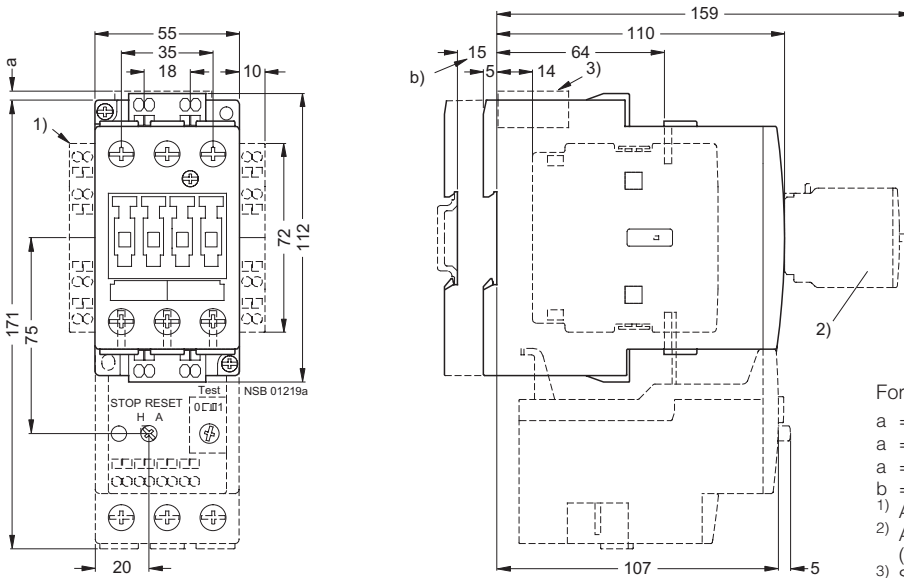
## Project planning aids

### 3RT10 and 3RT14 contactors, 3-pole

3RT10 3 contactors, size S2

Cage Clamp terminals

with surge suppressor, auxiliary switch blocks and mounted overload relay



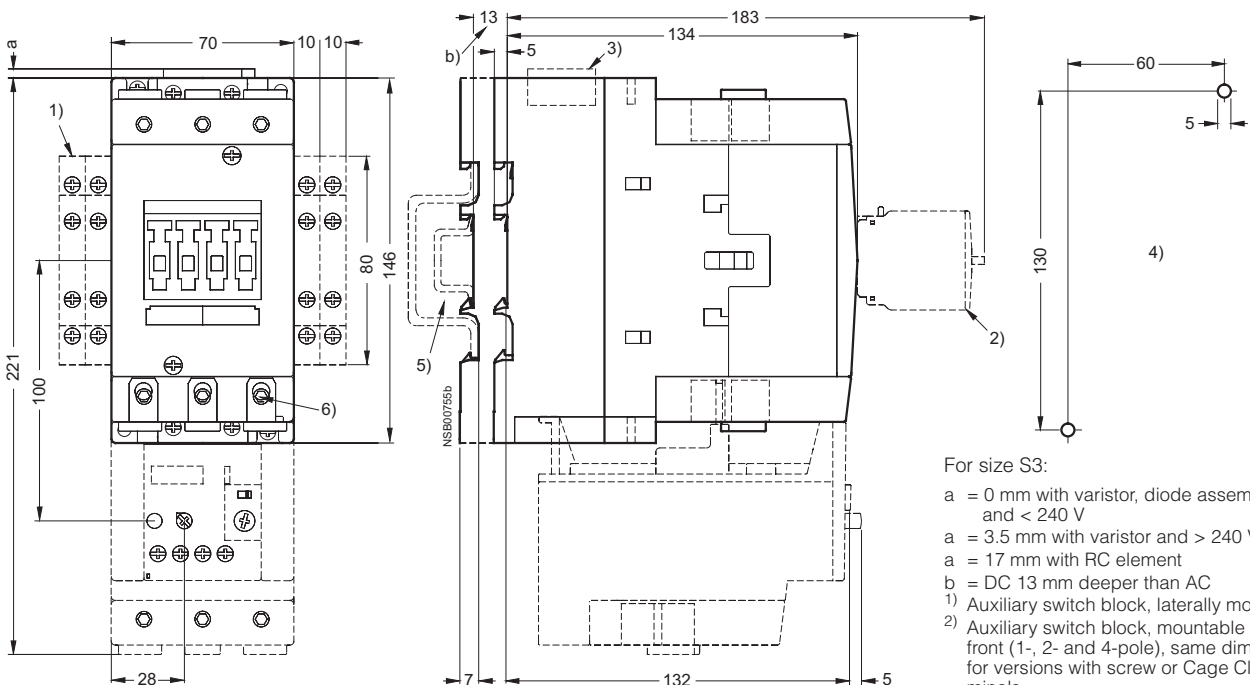
For size S2:

- a = 0 mm with varistor < 240 V, diode assembly
- a = 3.5 mm with varistor > 240 V
- a = 17 mm with RC element
- b = DC 15 mm deeper than AC
- 1) Auxiliary switch block, laterally mountable
- 2) Auxiliary switch block, mountable on the front, (1-, 2- and 4-pole)
- 3) Surge suppressor
- 4) Drilling pattern

3RT10 4, 3RT14 46 contactors, size S3

Screw terminals

with surge suppressor, auxiliary switch blocks and mounted overload relay



Lateral distance to grounded components = 6 mm

For size S3:

- a = 0 mm with varistor, diode assembly and < 240 V
- a = 3.5 mm with varistor and > 240 V
- a = 17 mm with RC element
- b = DC 13 mm deeper than AC
- 1) Auxiliary switch block, laterally mountable
- 2) Auxiliary switch block, mountable on the front (1-, 2- and 4-pole), same dimensions for versions with screw or Cage Clamp terminals
- 3) Surge suppressor
- 4) Drilling pattern
- 5) For mounting on TH 35 standard mounting rail according to EN 60715 (15 mm deep) or TH 75 standard mounting rail according to EN 60715
- 6) Allen screw 4 mm

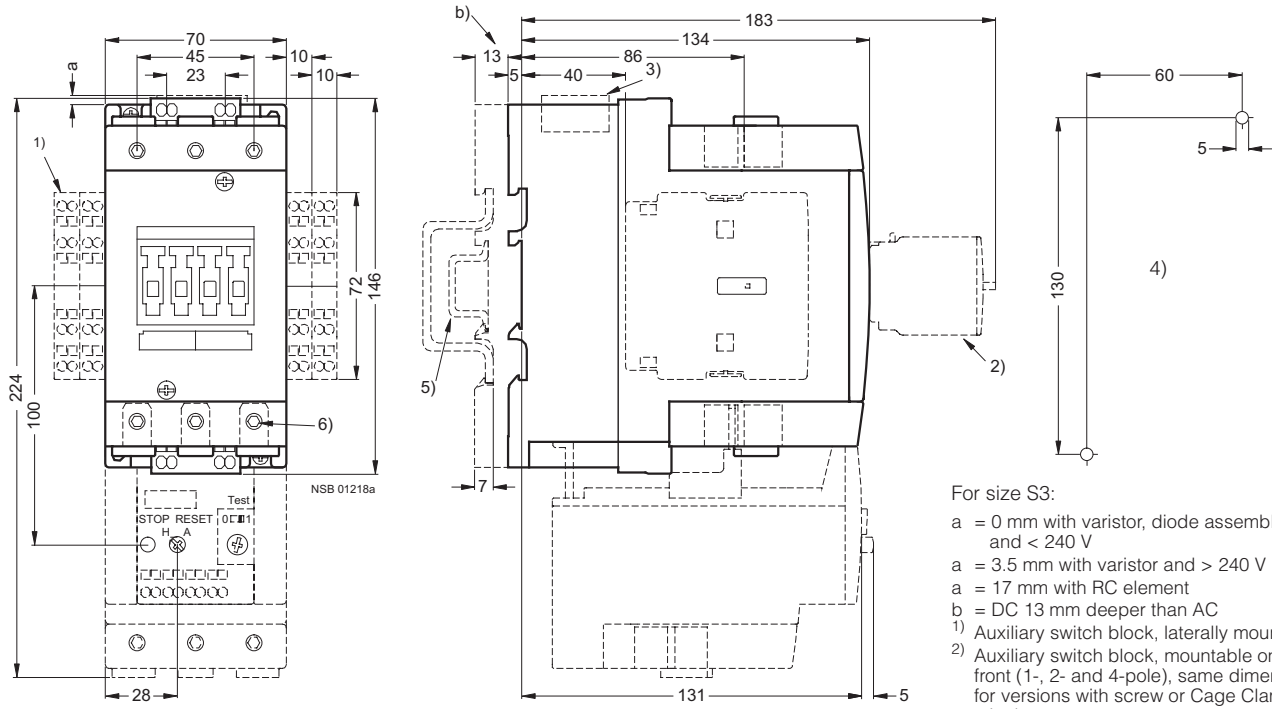
# Controls – Contactors and Contactor Assemblies

## Project planning aids

### 3RT10 contactors, 3-pole

3RT10 4 contactors, size S3

Cage Clamp terminals  
with surge suppressor, auxiliary switch blocks and mounted overload relay

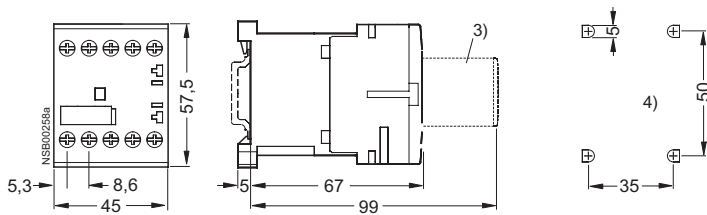


For size S3:

- a = 0 mm with varistor, diode assembly and < 240 V
- a = 3.5 mm with varistor and > 240 V
- a = 17 mm with RC element
- b = DC 13 mm deeper than AC
- 1) Auxiliary switch block, laterally mountable
- 2) Auxiliary switch block, mountable on the front (1-, 2- and 4-pole), same dimensions for versions with screw or Cage Clamp terminals
- 3) Surge suppressor
- 4) Drilling pattern
- 5) For mounting on TH 35 standard mounting rail according to EN 60715 (15 mm deep) or TH 75 standard mounting rail according to EN 60715
- 6) Allen screw 4 mm

### 3RT10 coupling relays, size S00

with surge suppressor



Deviating dimensions for coupling relays with Cage Clamp terminals:  
Height: 60 mm

- 3) Surge suppressor
- 4) Drilling pattern

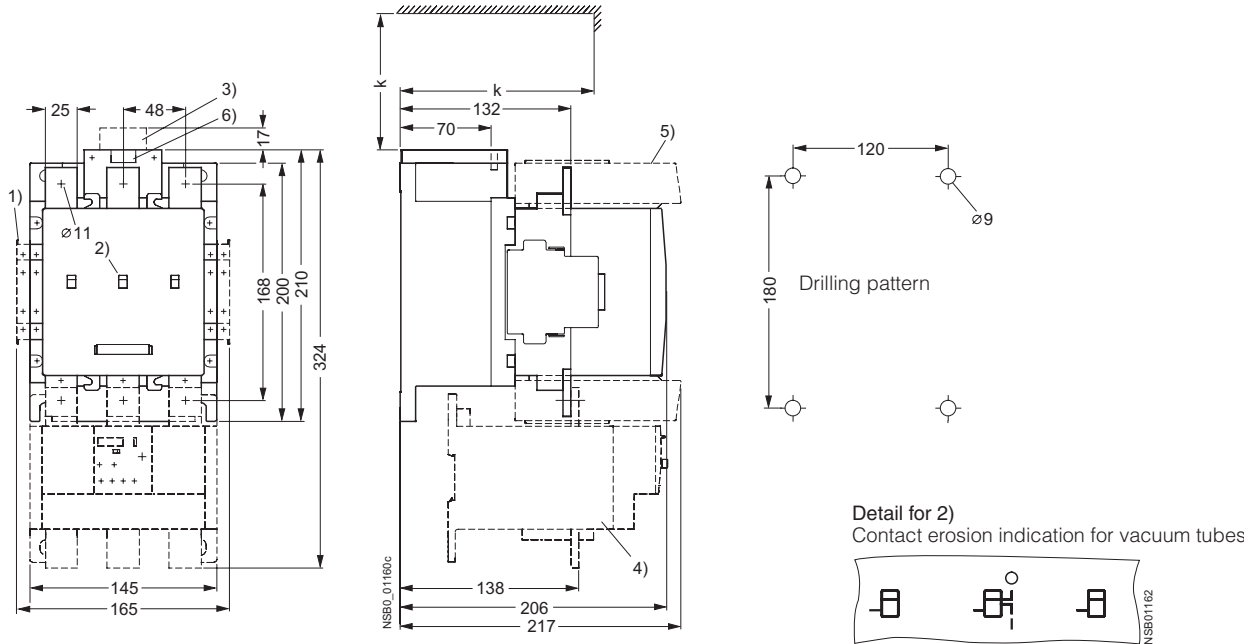


# Controls – Contactors and Contactor Assemblies

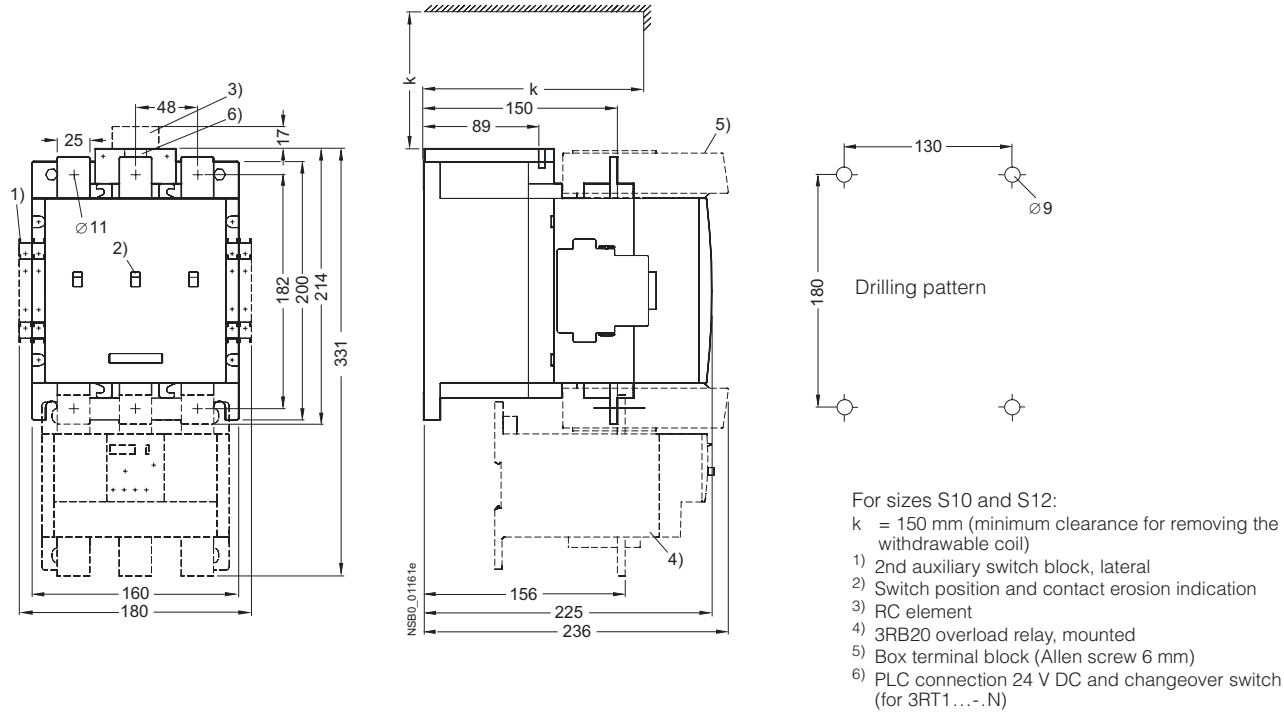
## Project planning aids

### 3RT12 vacuum contactors, 3-pole

3RT12 6 vacuum contactors, size S10  
with lateral auxiliary switch block,  
mounted overload relay and box terminals



3RT12 7 vacuum contactors, size S12  
with lateral auxiliary switch block,  
mounted overload relay and box terminals



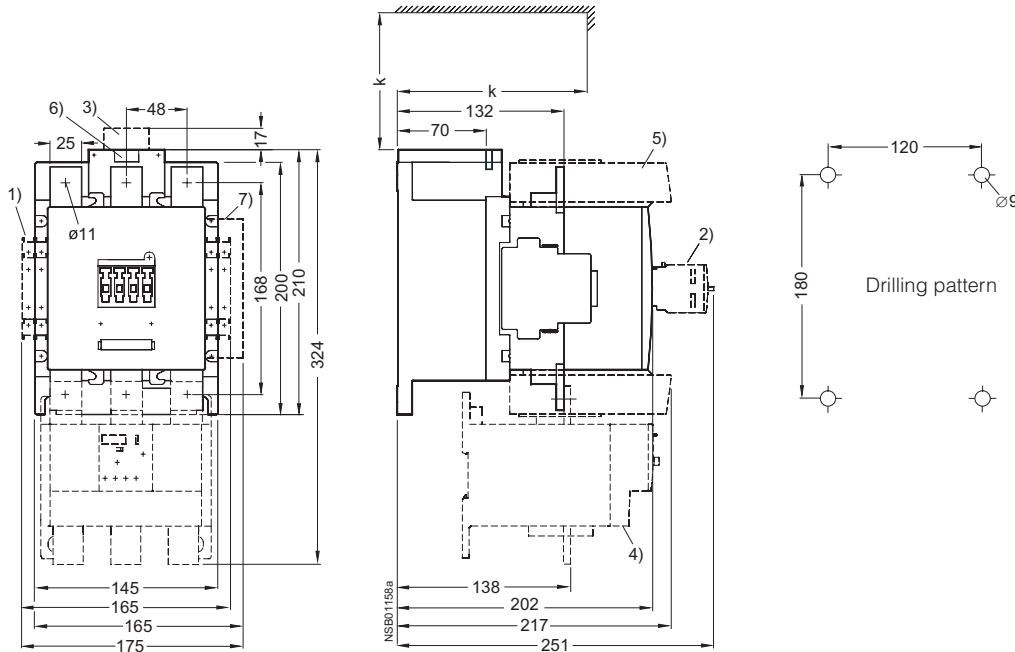
# Controls – Contactors and Contactor Assemblies

## Project planning aids

### 3RT10 and 3RT14 contactors, 3-pole

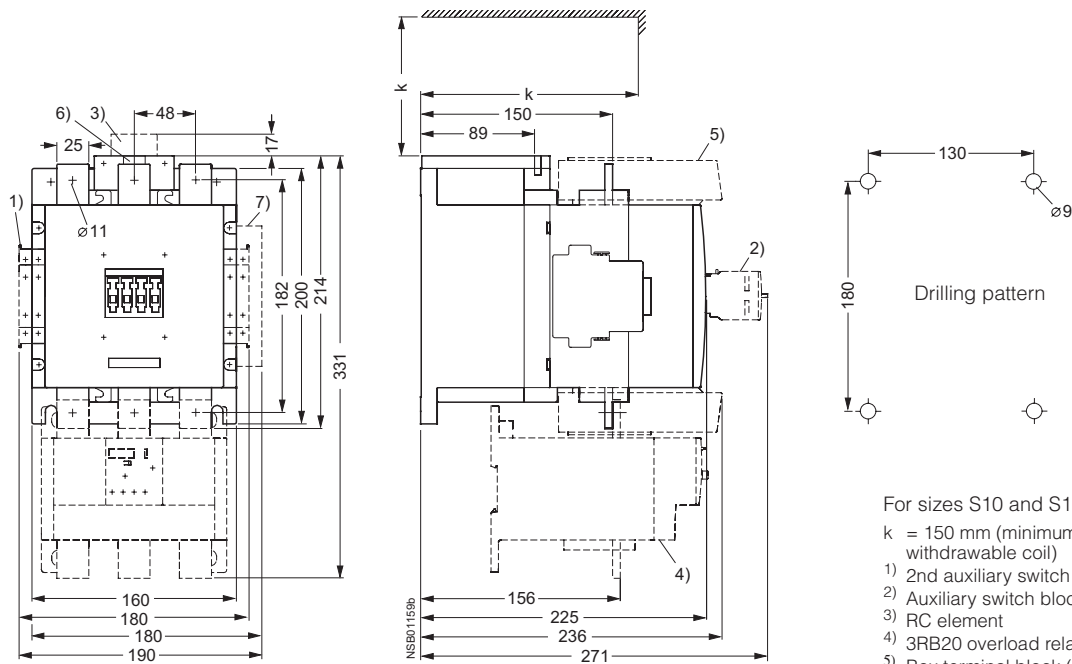
3RT10 6, 3RT14 6 contactors, size S10

with lateral and front mounted auxiliary switch block  
 mounted overload relay and box terminals,  
 lateral solid-state module with remaining lifetime indicator



3RT10 7, 3RT14 7 contactors, size S12

with lateral and front mounted auxiliary switch block  
 mounted overload relay and box terminals,  
 lateral solid-state module with remaining lifetime indicator



For sizes S10 and S12:  
 Distance from grounded parts  
 Lateral: 10 mm  
 Front: 20 mm

- For sizes S10 and S12:
- k = 150 mm (minimum clearance for removing the withdrawable coil)
  - 1) 2nd auxiliary switch block, lateral
  - 2) Auxiliary switch block, mountable on the front
  - 3) RC element
  - 4) 3RB20 overload relay, mounted
  - 5) Box terminal block (Allen screw 6 mm)
  - 6) PLC connection 24 V DC and changeover switch (for 3RT1...-N)
  - 7) Solid-state module with remaining lifetime indicator (auxiliary switch block not mountable on right-hand side)