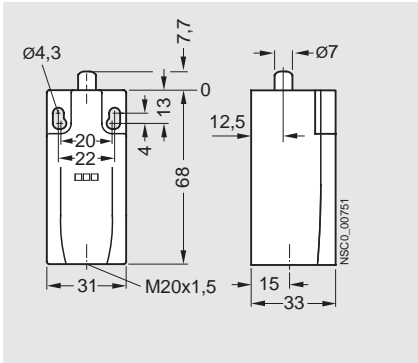


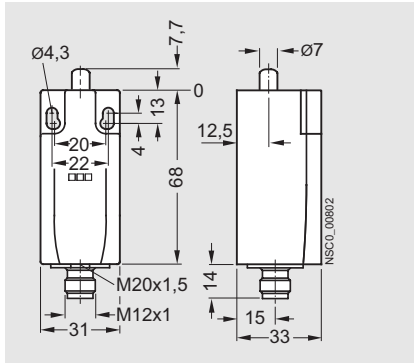
Dimensional drawings

Basic switches

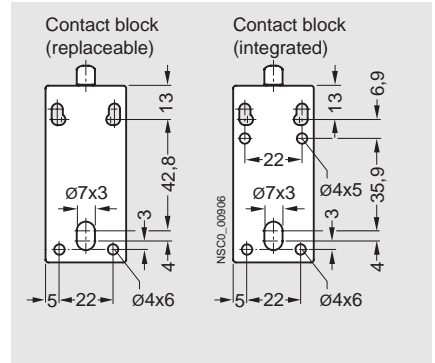
Enclosure width 31 mm, EN 50047,
with M20 x 1.5 connecting thread
3SE5 232



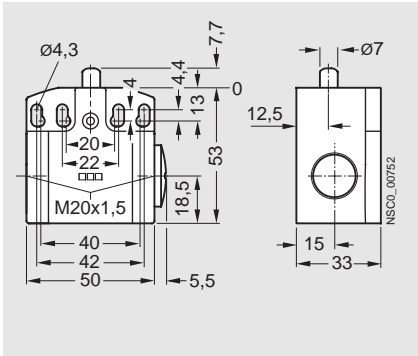
Enclosure width 31 mm, EN 50047,
with M12 connector socket
3SE5 234



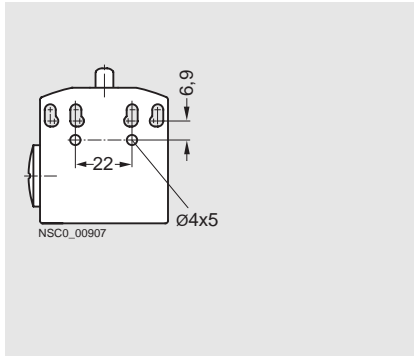
Enclosure width 31 mm, EN 50047,
rear with fixing holes
3SE5 232



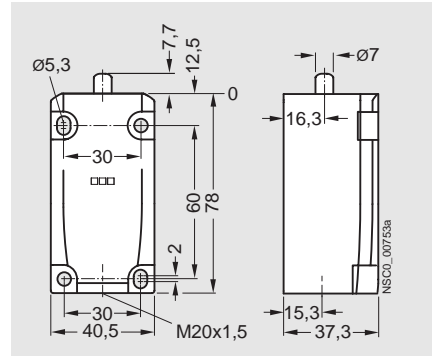
Enclosure width 50 mm,
with M20 x 1.5 connecting thread
3SE5 242



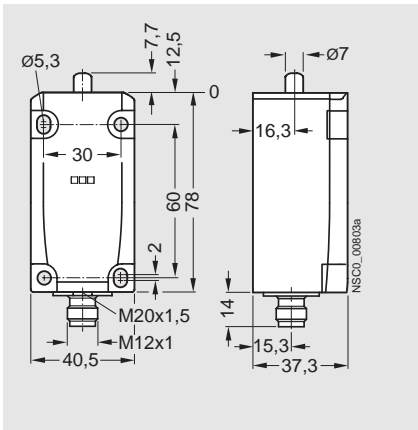
Enclosure width 50 mm,
rear with fixing holes
3SE5 242



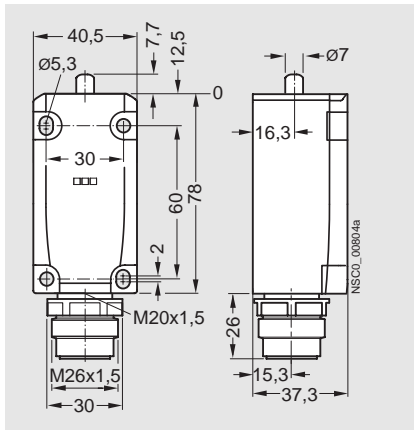
Enclosure width 40 mm, EN 50041,
with M20 x 1.5 connecting thread
3SE5 112



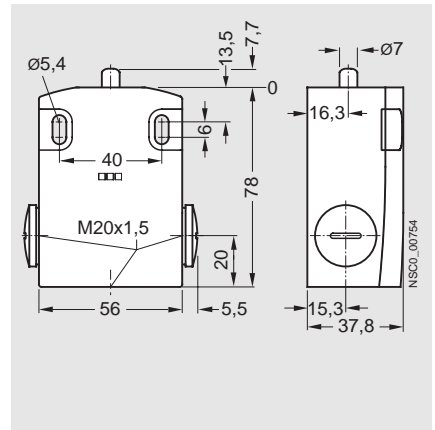
Enclosure width 40 mm, EN 50041,
with M12 connector socket
3SE5 124



Enclosure width 40 mm, EN 50041,
with 6-pole connector socket
3SE5 125



Enclosure width 56 mm,
with M20 x 1.5 connecting thread
3SE5 122

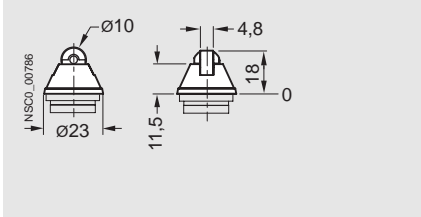


3SE5, 3SE2, 3SE3 Position Switches

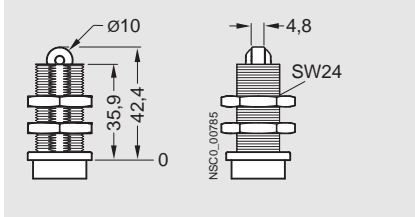
3SE5, plastic and metal enclosures

Operating mechanisms for enclosure width 31 mm and 50 mm

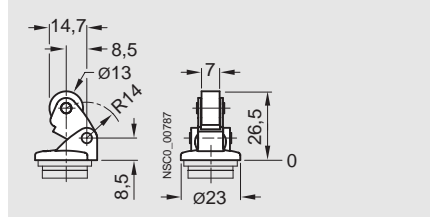
Roller plunger, type C according to EN 50047



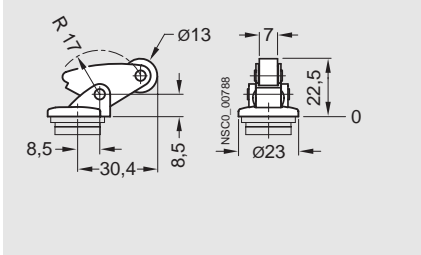
Roller plunger with central fixing



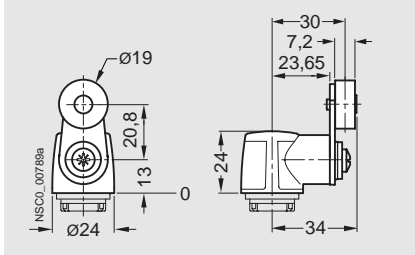
Roller lever, type E according to EN 50047



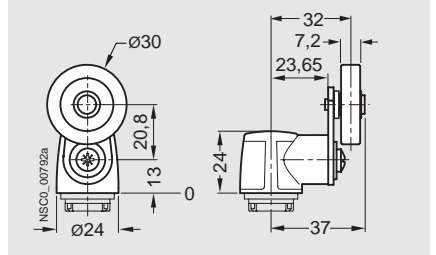
Angular roller levers



Twist lever, type A according to EN 50047

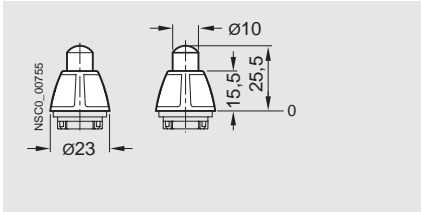


Twist lever, roller 30 mm

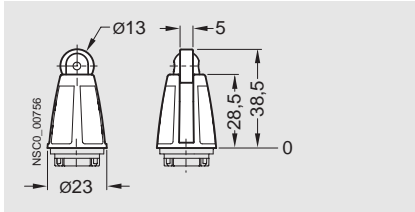


Operating mechanisms for enclosure width 40 mm and 56 mm

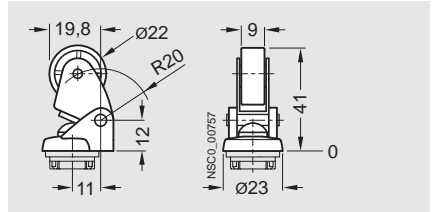
Rounded plunger, type B acc. to EN 50041



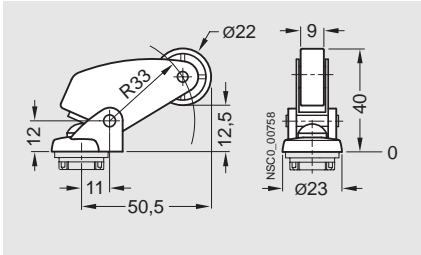
Roller plunger, type C according to EN 50041



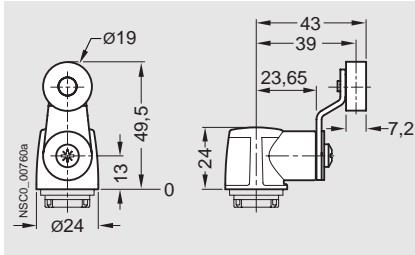
Roller levers



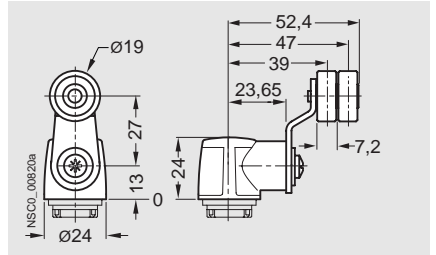
Angular roller levers



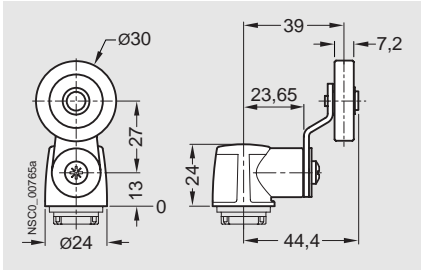
Twist lever, type A according to EN 50041



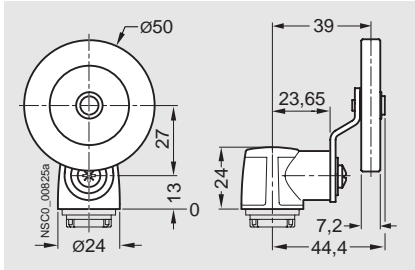
Twist lever, 2 rollers 19 mm



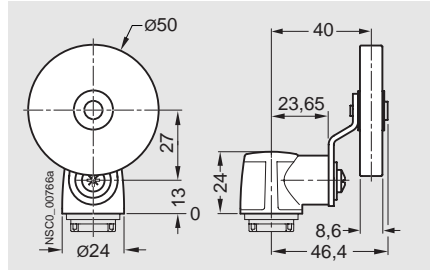
Twist lever, roller 30 mm



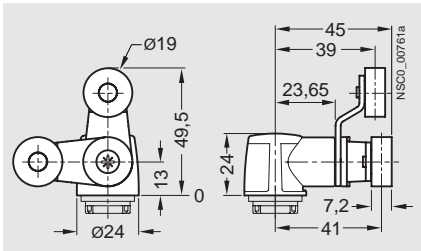
Twist lever, roller 50 mm



Twist lever, rubber roller 50 mm

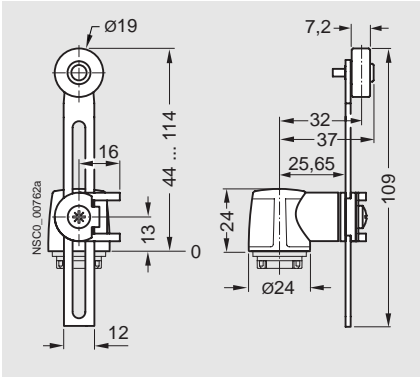


Fork levers

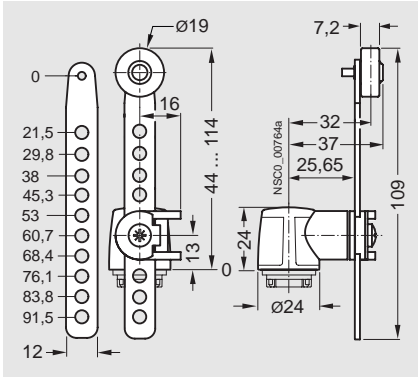


Operating mechanisms for all enclosure widths

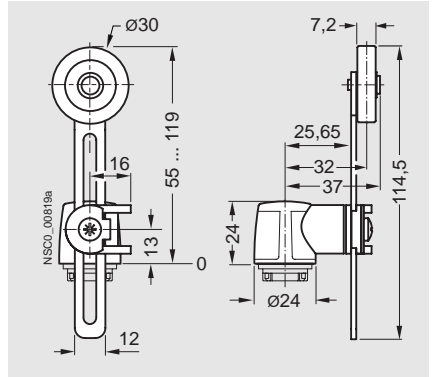
Twist lever, adjustable length, roller 19 mm



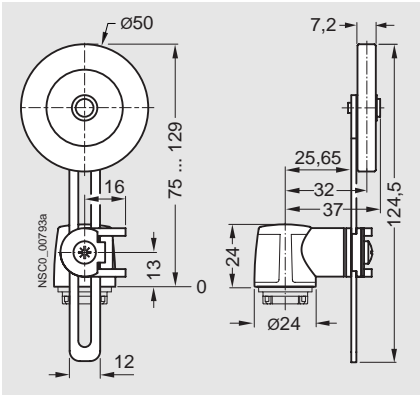
Twist lever, adjustable length, with grid hole, roller 19 mm



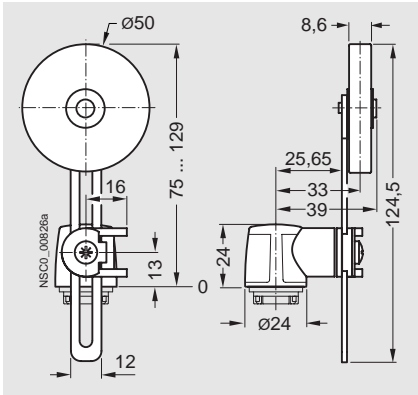
Twist lever, adjustable length, roller 30 mm



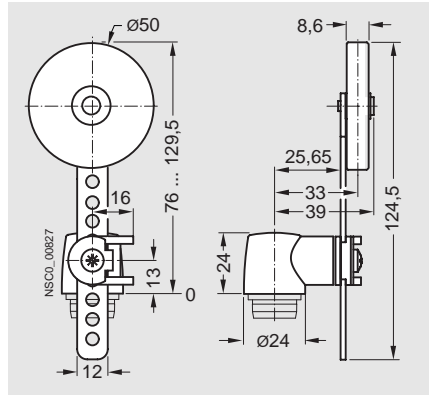
Twist lever, adjustable length, roller 50 mm



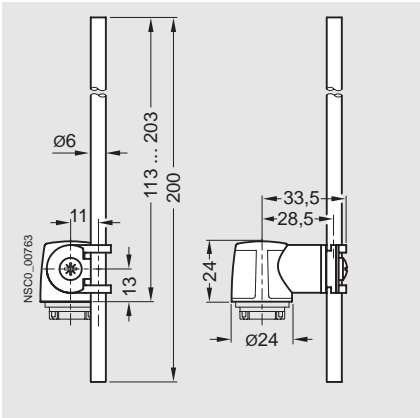
Twist lever, adjustable length, rubber roller 50 mm



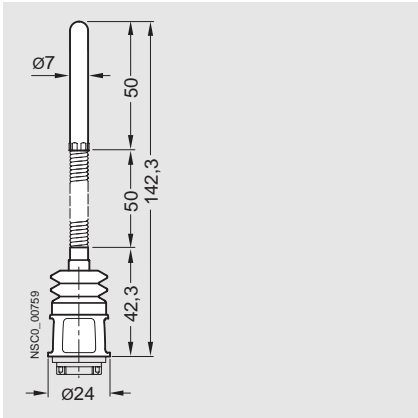
Twist lever, adjustable length, with grid hole, rubber roller 50 mm



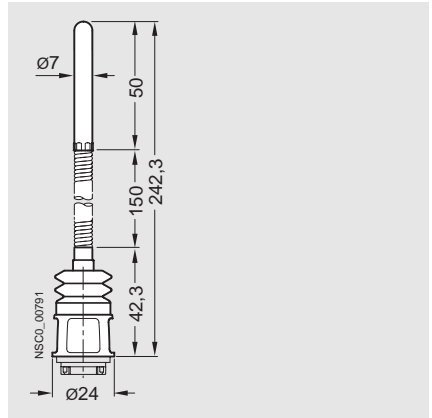
Rod actuator



Spring rod, length 142.5 mm



Spring rod, length 242.5 mm



Spring rod, length 76 mm

